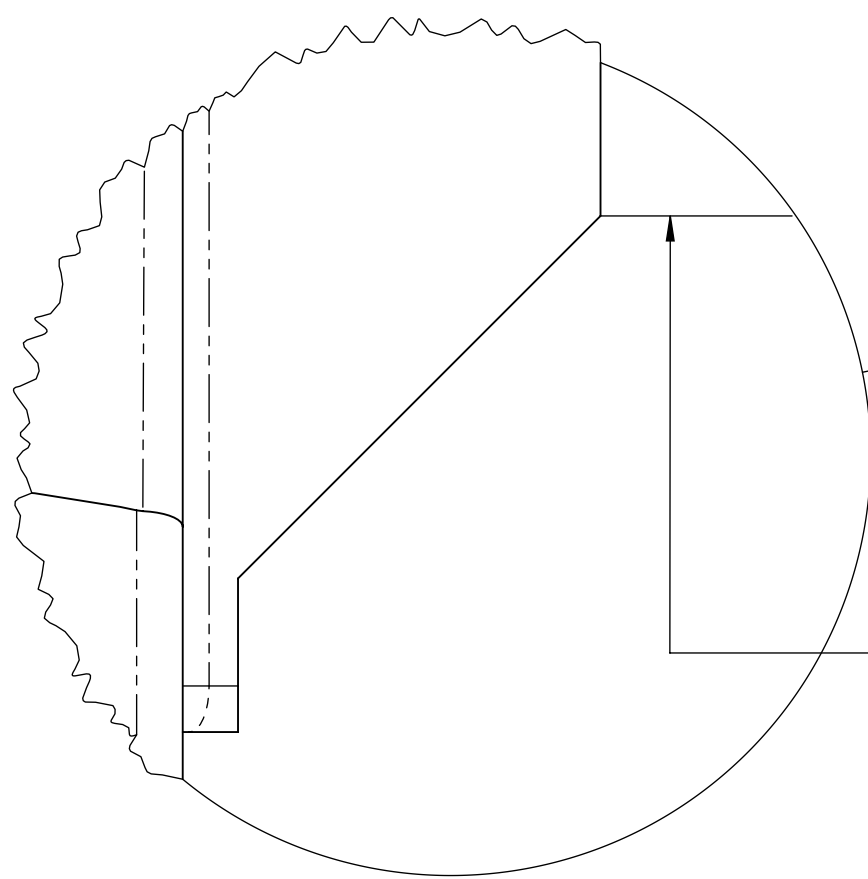
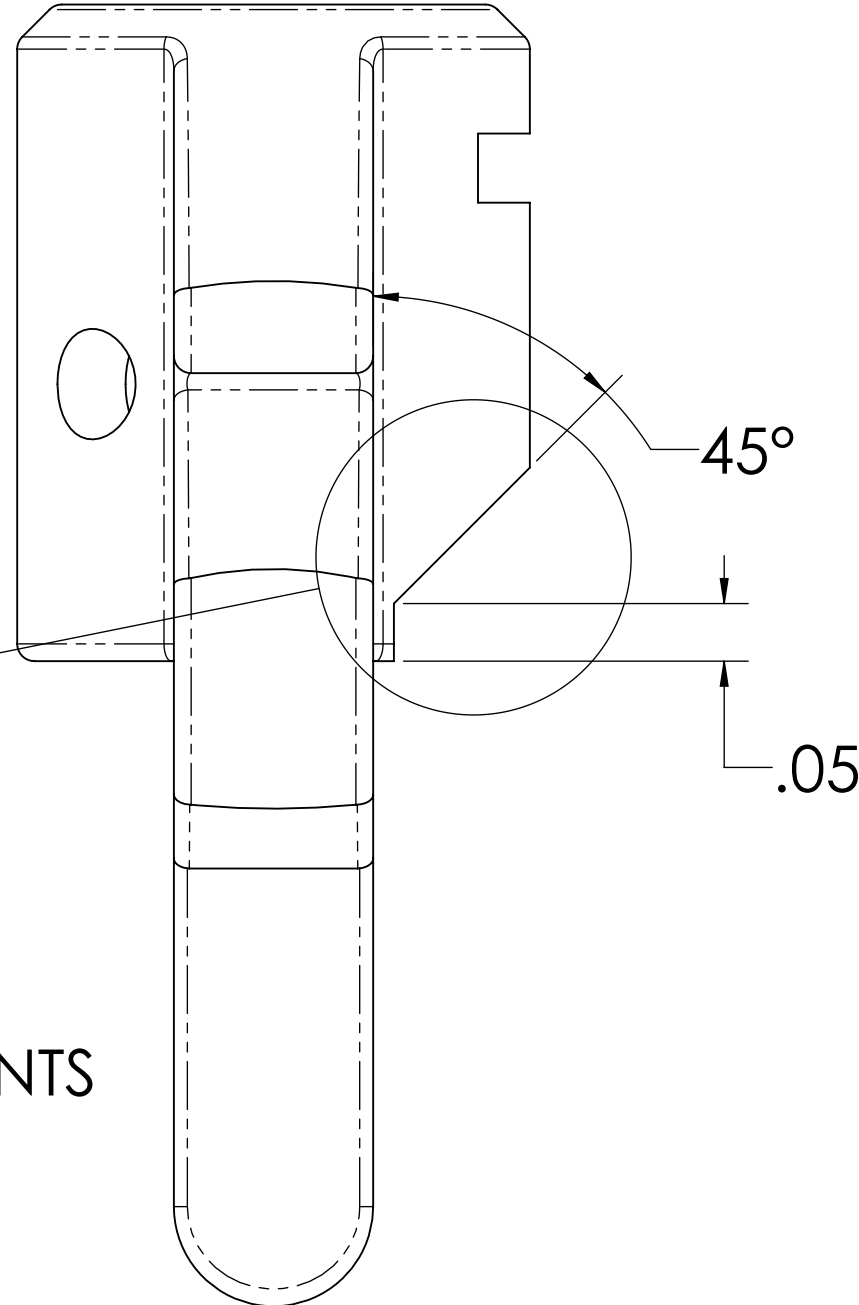
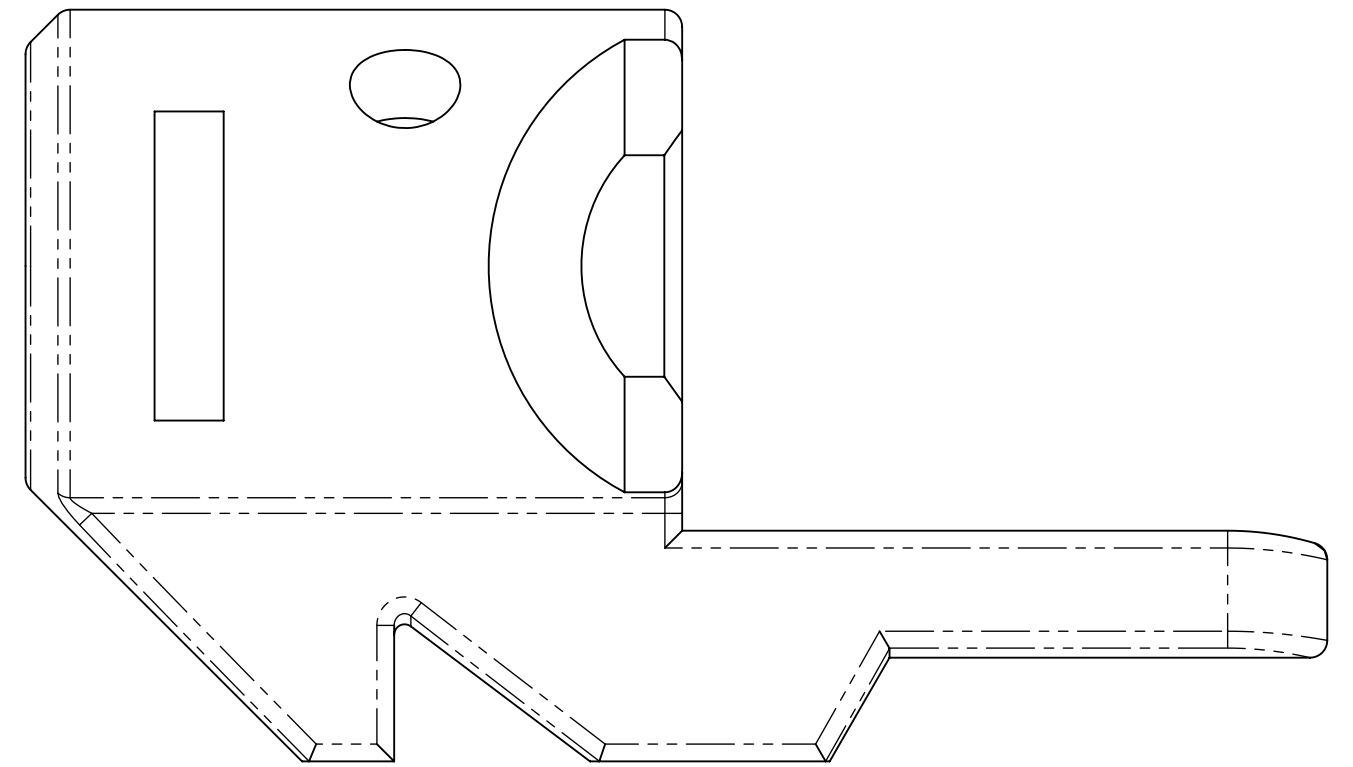
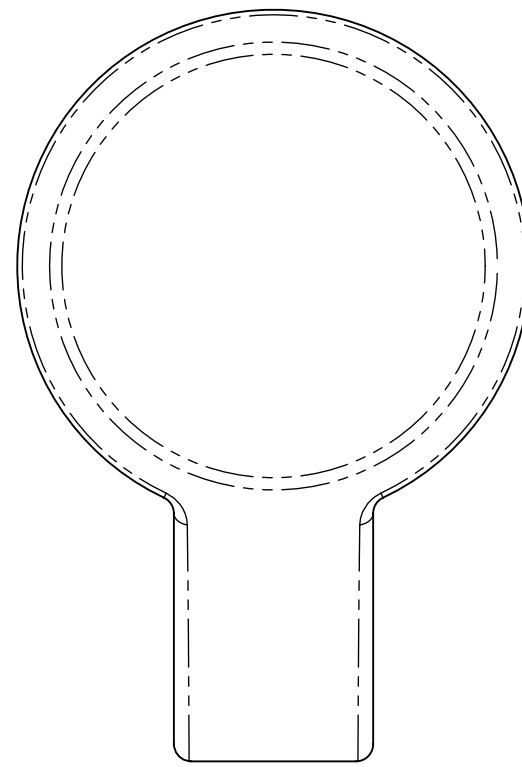
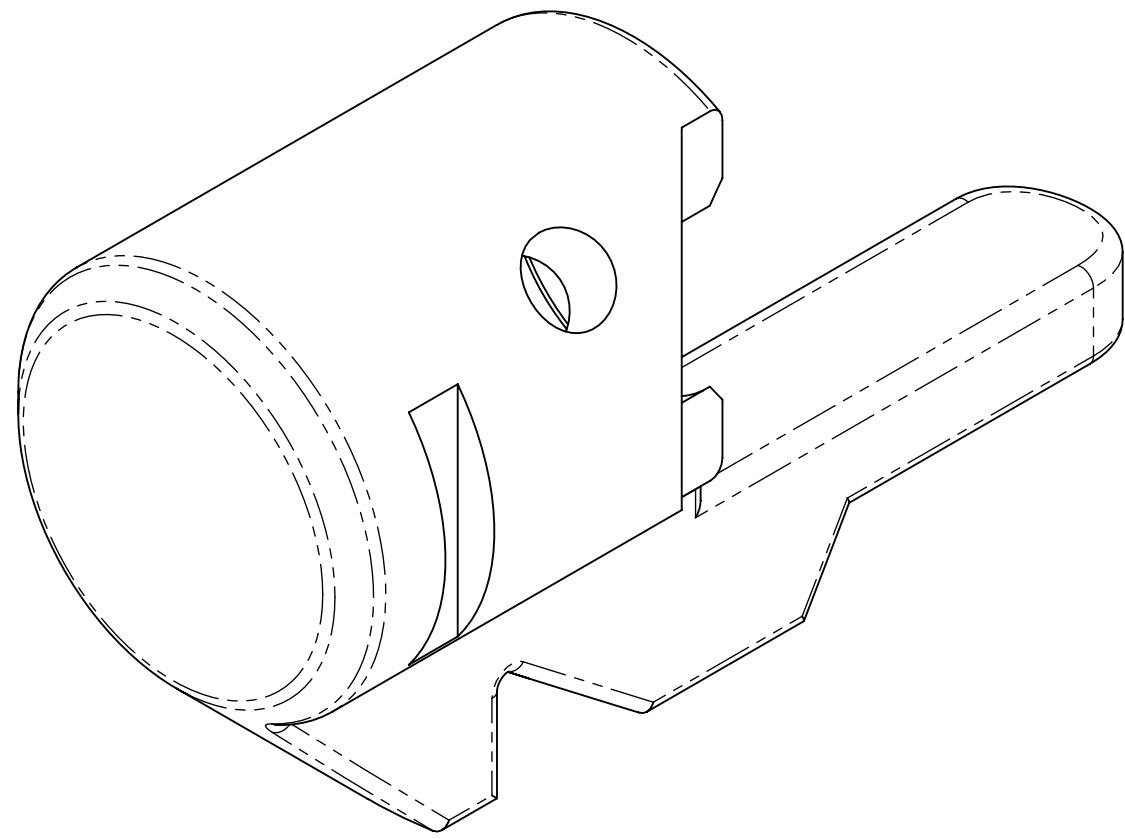


# DATA SHEET FOR REMINGTON 700 COCKING PIECE, THREE POSITION SAFETY



MOVE .005 INCREMENTS  
UNTIL PROPER SEAR  
ENGAGEMENT.

## GUNSMITH FITTING REQUIRED.

MODIFY THE LENGTH OF THE .05 DIMENSION  
TO FIT YOUR SEAR ENGAGEMENT.  
REMINGTON FACTORY SEARS VARY,  
AND AFTERMARKET TRIGGERS MAY  
REQUIRE THE ANGLE POSITION TO BE MOVED.

DETAIL A  
SCALE 16:1



PROPRIETARY AND CONFIDENTIAL  
THE INFORMATION CONTAINED IN THIS  
DRAWING IS THE SOLE PROPERTY OF  
PACIFIC TOOL AND GAUGE. ANY  
REPRODUCTION IN PART OR AS A WHOLE  
WITHOUT THE WRITTEN PERMISSION OF  
PACIFIC TOOL AND GAUGE IS  
PROHIBITED.

UNLESS OTHERWISE SPECIFIED:  
DIMENSIONS ARE IN INCHES  
TOLERANCES:  
FRACTIONAL  $\pm 1/16$   
ANGULAR: MACH  $\pm 1/4$  DEG  
TWO PLACE DECIMAL  $\pm .010$   
THREE PLACE DECIMAL  $\pm .005$   
FOUR PLACE DECIMAL  $\pm .0005$

NAME	DATE
DRAWN JLJ	05/09/19
CHECKED	
ENG APPR.	
MFG APPR.	
Q.A.	

PACIFIC TOOL AND GAUGE		
TITLE: REM 700 COCKING PIECE THREE POSITION SAFETY		
SIZE C	DWG. NO. PTG-10662	REV A
SCALE: 6:1	WEIGHT:	SHEET 1 OF 1